

## Installation instructions

### Audi A3 Sportback (GY) 2020 ►

Carrier units for roof rails,  
scope of delivery 8Y4.071.151  
Audi Genuine Accessories

Edition 01



## Contents

<b>1</b>	<b>General notes</b> .....	<b>1</b>
<b>2</b>	<b>Safety notes</b> .....	<b>2</b>
2.1	General safety notes .....	2
2.2	Safety notes to be checked before and after each journey and when in use .....	3
2.3	Safety instructions for driving with carrier units .....	3
2.3.1	Altered vehicle height .....	3
2.3.2	Sensitivity to side winds .....	4
2.4	Safety notes for loading .....	4
2.4.1	Permissible roof load and loading .....	4
2.4.2	Loading the roof load in the correct manner for the load in question .....	4
2.4.3	Width of load .....	5
2.4.4	Tensioning carrier units .....	5
2.4.5	Installation and loading sequence for carrier units .....	5
2.4.6	Rear lid opening range .....	6
<b>3</b>	<b>Scope of delivery and overview of components</b> .....	<b>7</b>
3.1	Scope of delivery .....	7
3.2	Overview of components .....	7
<b>4</b>	<b>Installing/removing the carrier units</b> .....	<b>8</b>
4.1	Installing carrier units .....	8
4.2	Installing roof rack modules using T-slot nuts .....	11
4.3	Installing the profile cover .....	11
4.3.1	Installing the profile cover without using T-slot nuts to secure roof rack modules: .....	11
4.3.2	Installing the profile cover using T-slot nuts to secure roof rack modules: .....	11
4.4	Removing the carrier units .....	12
4.5	Maintenance instructions .....	12
4.6	Technical notes .....	12
4.7	Adjusting the carrier unit width .....	13



# 1 General notes

Please read these instructions carefully and note the WARNING, Caution and Note descriptions before installing the carrier units.



## **WARNING**

*Text with this symbol contains information concerning your safety and indicates potential accident and injury risks.*



## **Caution**

*Text with this symbol indicates the risk of damage to your vehicle.*



## **Note**

*Text with this symbol contains additional information.*

**AUDI AG shall not accept responsibility in the event of failure to comply with these installation instructions.**



## 2 Safety notes

### 2.1 General safety notes

 **WARNING**

*Please read these assembly instructions carefully before starting installation. Non-compliance with these installation instructions and safety notes will compromise your safety and that of third parties.*

 **WARNING**

*The driver is responsible for making sure that his view and ability to hear are not impaired by his load or by the condition of the vehicle.*

*He must make sure that the load does not prevent the vehicle from complying with country-specific regulations and that road safety is not compromised.*

 **WARNING**

*All bolted connections and connections for the carrier units and for the roof rack modules must be checked prior to travelling to make sure that they are correctly positioned and installed. Tighten if necessary.*

*Recheck bolted connections and connections at appropriate intervals and tighten if necessary. The bolted connections and connections must be checked at short intervals if travelling on a poor stretch of road.*

*If these guidelines are not observed, this can result in the carrier units or the roof rack modules becoming loose or falling off – risk of accident!*

 **WARNING**

*Repairs or the replacement of parts must only be performed by a qualified workshop. It is recommended that genuine spare parts available from your Audi partner are used.*

 **WARNING**

*The procedures and safety notes detailed in these instructions for the installation, handling and use of the carrier units must always be observed.*

- ◆ *Deviating from these instructions can cause the carrier units or the mounted roof rack module to come loose.*
- ◆ *The carrier units are designed such that the vehicle will not be damaged if components are installed, handled and used properly.*
- ◆ *The manufacturer is not liable for any damage resulting from failure to comply with the installation procedure or notes specified.*
- ◆ *All forms of warranty claim against the manufacturer are invalidated if installation, handling or use of the components is not carried out as specified in these instructions.*

 **WARNING**

- ◆ *Replace damaged components immediately.*
- ◆ *Do not use elasticated straps or bungee cords!*



**⚠ Caution**

**Do not enter a car wash with carrier units installed with/without roof rack modules.**

**ℹ Note**

- ◆ When driving with a roof load, make sure that the German Road Traffic Regulations (StVZO) or any country-specific regulations are observed.
- ◆ For reasons of convenience, it is common for the carrier units with/without roof rack modules to remain on the vehicle, even if they are not in use. Your vehicle will consume more fuel due to increased wind resistance.
- ◆ It is advisable to remove a carrier unit after use.
- ◆ Additional wind noise can result from driving with a carrier unit attached.

## 2.2 Safety notes to be checked before and after each journey and when in use

**⚠ WARNING**

**Check that the carrier units and the load to be transported are securely attached:**

- ◆ Before the start of every journey,
- ◆ After approx. 10 km of the journey,
- ◆ approx. every 300 km on good roads
- ◆ Frequently on poor roads (due to vibration),
- ◆ Regularly to make sure that there has been no movement/displacement.

**If the carrier units are not checked to make sure that they are secure and to check whether any fasteners need tightening, they could work loose and parts may therefore be lost, despite installation being carried out properly – risk of accident!**

**In the event of a change in position, drive at a reduced speed until the next opportunity to stop safely and then re-tighten the bolted connections and fixtures on the carrier units.**

## 2.3 Safety instructions for driving with carrier units

### 2.3.1 Altered vehicle height

**⚠ Caution**

**Fitting carrier units changes the height of your vehicle.**

**Pay particular attention to:**

- ◆ Low-hanging branches
- ◆ Passages with reduced head-room clearance
- ◆ Entrances to garages with reduced head-room clearance
- ◆ Height restrictions in multi-storey car parks and underground car parks.



## 2.3.2 Sensitivity to side winds

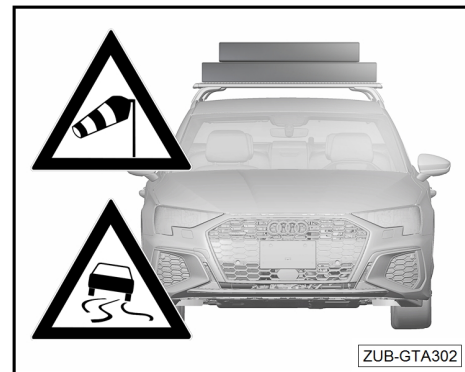
### **WARNING**

*The load affects driving and braking behaviour and the vehicle's sensitivity to side winds. Adapt your driving style accordingly – risk of accident!*

*Do not exceed the maximum speed of 130 km/h (81 mph).*

*When driving in strong side winds, make sure that you take extra care:*

- ◆ *when moving into and out of the slipstream of a lorry,*
- ◆ *when driving past hedgerows, trees, walls and buildings as well as any other wind barriers,*
- ◆ *when driving over bridges*



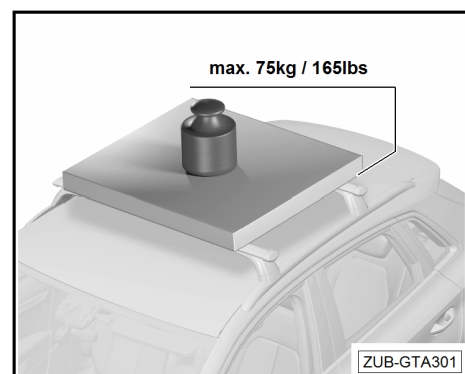
## 2.4 Safety notes for loading

### 2.4.1 Permissible roof load and loading

### **WARNING**

*Do not exceed the permissible roof load of 75 kg (165 lbs.).*

*Do not exceed the gross vehicle weight rating of roof bars, add-on components and load of 75 kg (165 lbs.).*



### 2.4.2 Loading the roof load in the correct manner for the load in question

### **WARNING**

*Load the roof load onto the carrier units in the correct manner for the load in question – risk of accident!*

*Avoid loading on one side – risk of accident!*



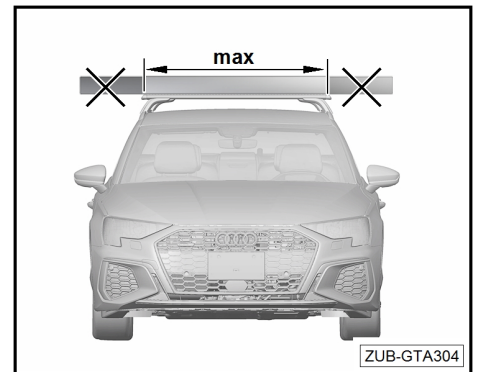


### 2.4.3 Width of load

**⚠ WARNING**

*The load must not protrude past the edges of the carrier units to the left or right – risk of accident!*

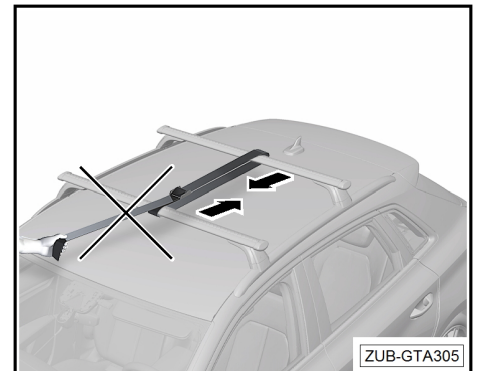
*Avoid loading on one side – risk of accident!*



### 2.4.4 Tensioning carrier units

**⚠ WARNING**

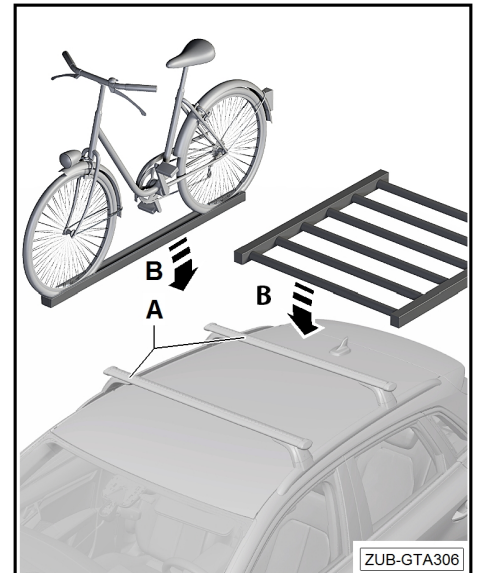
*Do not tension carrier units against each other – risk of accident!*



### 2.4.5 Installation and loading sequence for carrier units

**⚠ WARNING**

*Only assemble the roof rack modules -B- on the carrier units once the carrier units -A- have been fitted to rail B on the vehicle – risk of accident!*



EN



## 2.4.6 Rear lid opening range

### ⚠ Caution

*To prevent damage to the vehicle, make sure that the rear lid is opened carefully after longer objects have been loaded onto the vehicle. For vehicles featuring automatic rear lid operation, it is recommended that you adjust the opening angle as required ⇒ Vehicle Owner's Manual.*







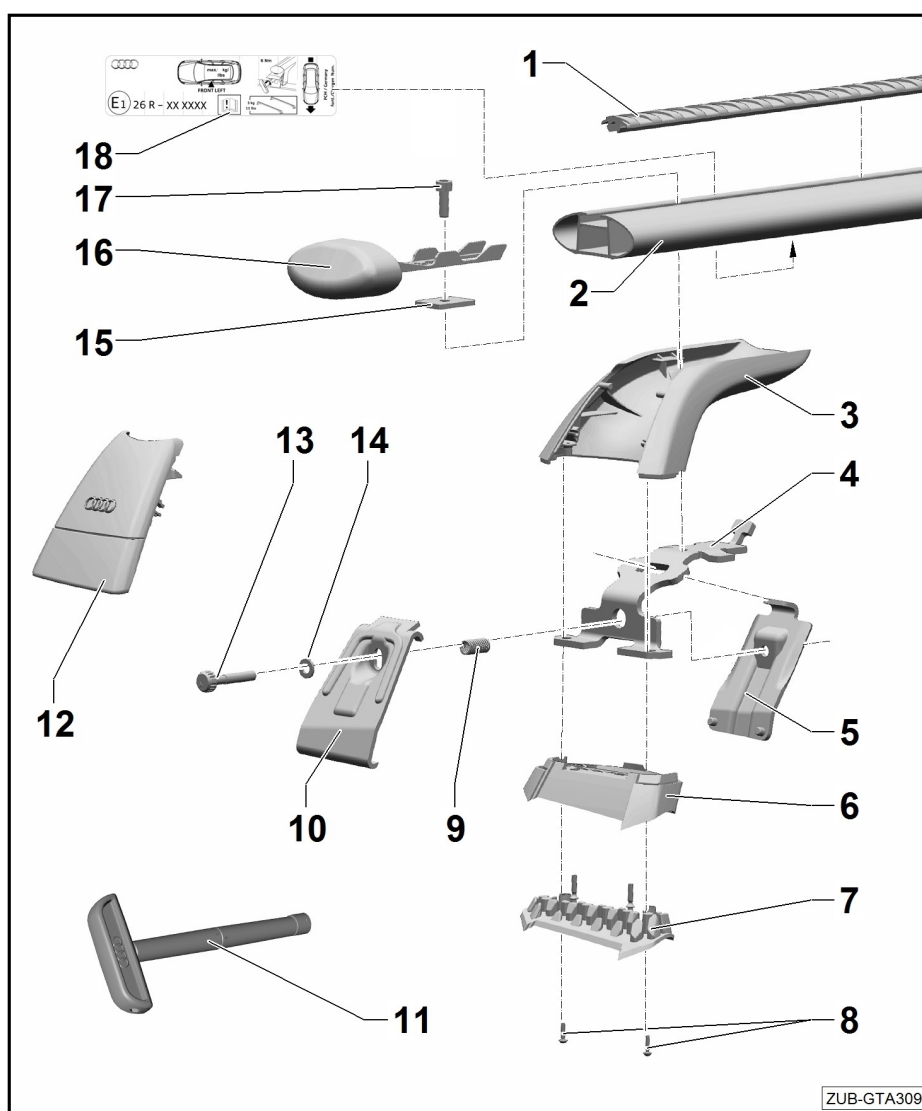
### 3 Scope of delivery and overview of components

#### 3.1 Scope of delivery

Units	Description	Information
1	Front roof bars	Label on the underside in direction of travel left
1	Rear roof bars	Label on the underside in direction of travel left
2	Profile cover	Length: 1250 mm
1	Torque wrench (6 Nm)	
1	Fitting instructions	

#### 3.2 Overview of components

- 1 - Profile cover (2x)
- 2 - Profile tube (2x)
- 3 - Upper support bracket (4x)
- 4 - Support plate (4x)
- 5 - Pin link (4x)
- 6 - Lower support bracket (4x)
- 7 - Rubber support (4x)
- 8 - Screws 2.5 x 11 (8x)
- 9 - Compression spring (4x)
- 10 - Claw fastener (4x)
- 11 - Torque wrench (6 Nm)
- 12 - Cover flap (4x)
- 13 - Coded tensioning bolt (4x)
- 14 - Washer M6 (4x)
- 15 - Sliding block (4x)
- 16 - Profile cap (4x)
- 17 - Hexagon bolt M6 x 12 (4x)
- 18 - Label (2x)  
 "front left" and "rear left"



ZUB-GTA309



## 4 Installing/removing the carrier units

### Note

- ◆ When securing the roof rack modules without a T-slot nut, install the profile cover on the carrier unit before mounting the carrier unit on the vehicle. ⇒ [Page 11](#)
- ◆ The carrier units must be installed by two people.

### 4.1 Installing carrier units

There are two holes -X- on the inward facing side of the roof rail at the front and rear end; these holes are provided for installing the roof bars for roof rail.

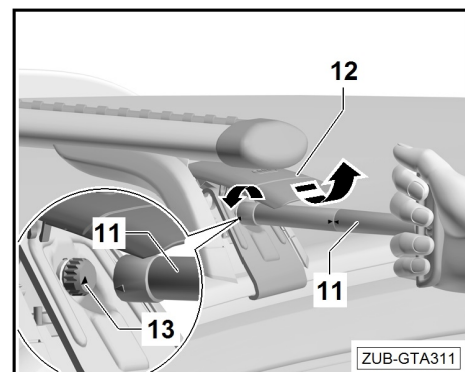
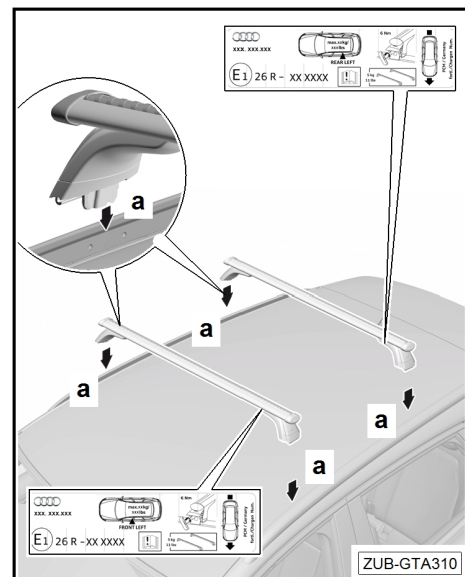
- ◆ During installation, the area around the hole -X- on the roof rails and the rubber supports -7- for the lower support bracket -6- must be free of dust and grease.
- If necessary, clean the contact areas and rubber supports -7- thoroughly.

- Fold up the cover flap -12-.
- Attach torque wrench -11- to tensioning bolt -13- so that the markings are aligned.
- Loosen tensioning bolt -13- far enough for a certain amount of resistance to be detected.

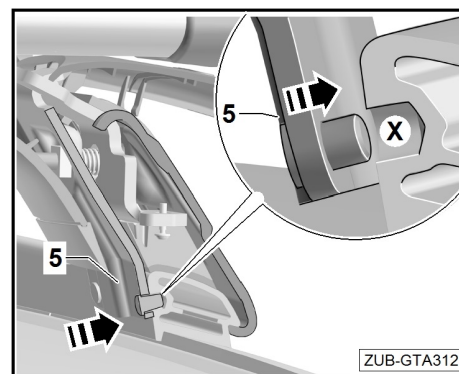
### Note

When installing the carrier unit, make sure that the labels are on the left-hand side of the vehicle and the printed arrow is pointing in the direction of travel.

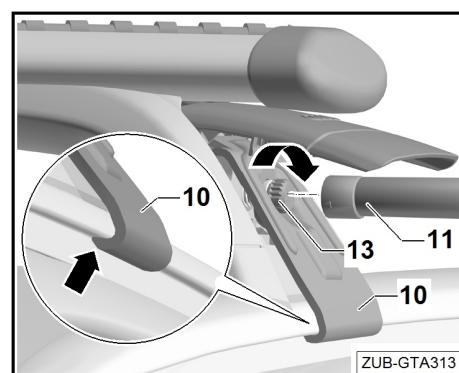
- Use the labels -18- on the underside of the left-hand profile tube as reference to align the roof rack to the relevant installation position (left/right and front/rear).



- Place the front and rear carrier units on the roof rail in the direction of travel in the area of the holes -X-.
- Insert the two pins in the pin links -5- into the holes -X- in the roof rail. Hold the pin link -5- in this position with one hand.



- Hook the claw fastener -10- under the roof rail -arrow-.
- Tighten tensioning bolt -13- slightly using torque wrench -11-. While doing this, make sure that the claw fastener -10- remains hooked under the roof rail -arrow-.
- Perform the identical procedure on the other side of the vehicle.

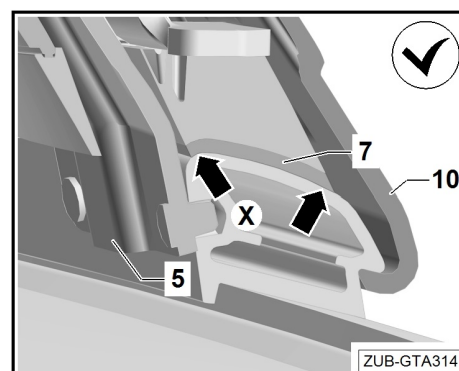


**⚠ WARNING**

*The rubber supports -7- for the lower support bracket must sit flush against the roof rail on both sides of the vehicle — risk of accident from the carrier unit coming loose.*

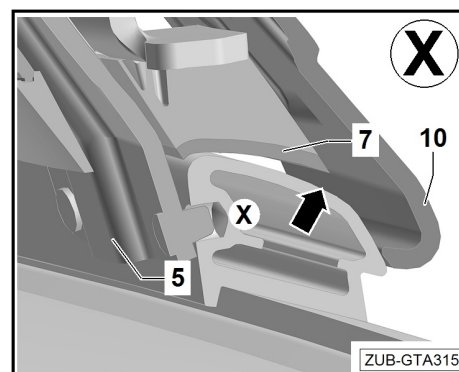
**The carrier unit is seated in the correct position if:**

- ◆ The rubber supports -7- for the lower support bracket sit flush against the roof rail -arrows-.
- ◆ The pins in the pin links -5- engage in the holes -X- in the roof rail.
- ◆ The claw fastener -10- is hooked under the roof rail.



**The carrier unit is positioned too far out if:**

- ◆ The rubber supports -7- for the lower support bracket do not sit flush against the roof rail -arrow-.
- ◆ The pins in the pin links -5- do not correctly engage in the holes -X- in the roof rail.
- ◆ The claw fastener -10- does not hook under the roof rail.

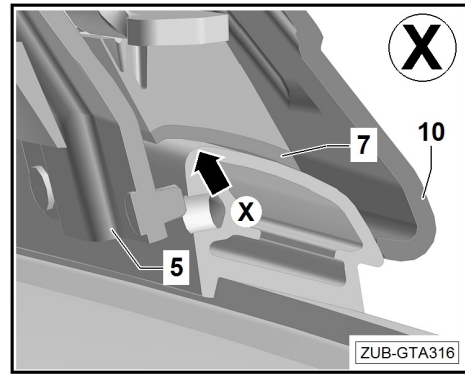




### The carrier unit is positioned too far in if:

- ◆ The rubber supports -7- for the lower support bracket do not sit flush against the roof rail -arrow-.
- ◆ The pins in the pin links -5- do not correctly engage in the holes -X- in the roof rail.
- ◆ The claw fastener -10- does not hook under the roof rail.

If the rubber supports for the lower support bracket -7- do not sit flush against the surface, we recommend that you have the width adjustment checked, and corrected if necessary, by a qualified workshop ⇒ **Page 13**. Remove the roof bars for roof rail before this process.



### Note

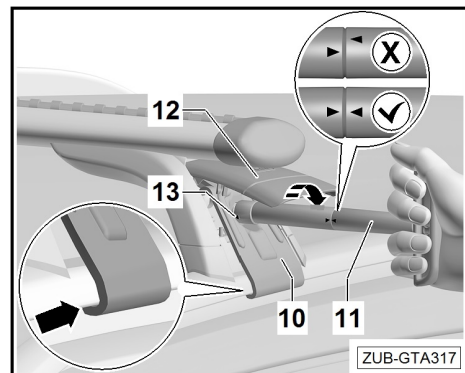
- ◆ When tightening the tensioning bolts -13-, the required tightening torque (or the required tightening force) of 6 Nm is reached once the two arrows on the torque wrench -11- are exactly opposite each other.

Tighten the tensioning bolts -13- on both sides alternately to 6 Nm in two steps using the torque wrench -11-.

### Caution

**The claw fastener -10- must not unhook from the roof rail during this process.**

- Check that everything is in the correct position again by tightening the tensioning bolts -13- on both sides to 6 Nm using the torque wrench -11-.
- Close the cover flap -12-.
- Follow the same process to install the second roof bar.



### **WARNING**

**Check that the carrier units and the load to be transported are securely attached:**

- ◆ **Before the start of every journey,**
- ◆ **After approx. 10 km of the journey,**
- ◆ **approx. every 300 km on good roads**
- ◆ **Frequently on poor roads (due to vibration),**
- ◆ **Regularly to make sure that there has been no movement/displacement.**

**If the carrier units are not checked to make sure that they are secure and to check whether any fasteners need tightening, they could work loose and parts may therefore be lost, despite installation being carried out properly – risk of accident!**

**In the event of a change in position, drive at a reduced speed until the next opportunity to stop safely and then re-tighten the bolted connections and fixtures on the carrier units.**

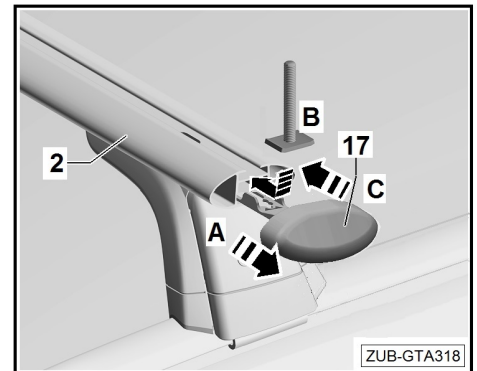


## 4.2 Installing roof rack modules using T-slot nuts

- To install the T-slot nuts, remove the profile cap -17- from the profile tube -2- -arrow A-.
- Insert the T-slot nut in the T groove provided -arrow B-.
- Slide the profile cap -17- back on -arrow C-.

### Note

Secure the roof rack modules to the T-slot nuts in accordance with the respective installation instructions.



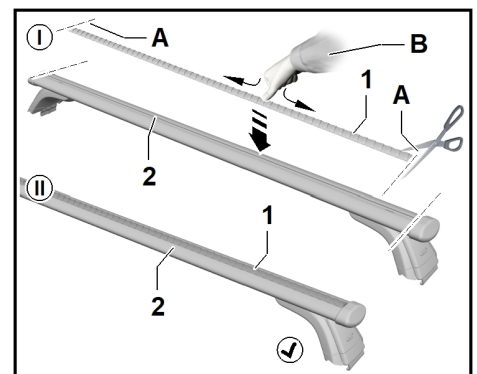
## 4.3 Installing the profile cover

### Note

Do not use lubricants to install the profile cover!

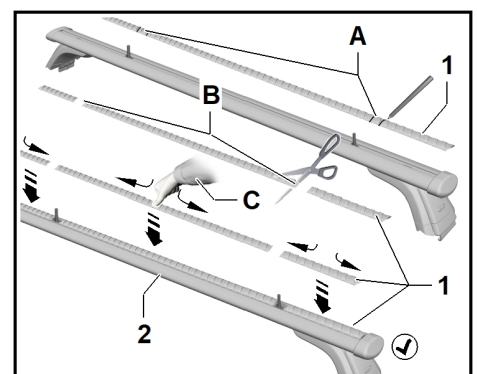
### 4.3.1 Installing the profile cover without using T-slot nuts to secure roof rack modules:

- I - Measure the profile cover -1- then shorten it using a suitable workshop tool -A-. Starting from the centre and working outwards, press the profile cover into the carrier unit -2- -B-.
- II - The profile cover -1- must engage along the entire length of the T-groove in the carrier unit -2-.



### 4.3.2 Installing the profile cover using T-slot nuts to secure roof rack modules:

- I - Measure the profile cover -1- and mark out the sections -A-.
- II - Shorten the profile cover -1- using a suitable workshop tool -B-.
- III - Starting from the centre and working outwards in each case, press the profile cover sections -1- into the free areas of the T-groove on the carrier unit -2- between the T-slot nuts -C-.
- IV - The profile cover -1- must engage along the entire length of the T-groove in the carrier unit -2-.

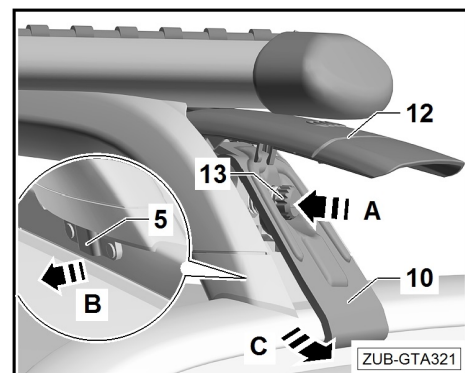
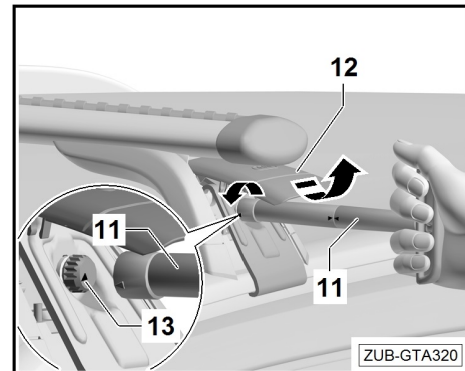




## 4.4 Removing the carrier units

### Note

- ◆ *The carrier units must be removed by two people.*
- Remove the load and the roof rack modules.
- Open the cover flap -12-.
- Loosen the left and right tensioning bolts -13- alternately.
- Unscrew the tensioning bolts -13- alternately until a slight resistance is felt.
  
- Push the left and right tensioning bolts -13- towards the vehicle centre -arrow A- to loosen pin link -5- from the holes in the roof rail -arrow B-.
- Unhook the claw fasteners -10- on both sides -arrow C- and carefully remove the carrier unit.
- Screw in the tensioning bolts -13- by approx. 12 rotations and close the cover flap -12-.



## 4.5 Maintenance instructions

### Carrier units

The carrier units must always be cleaned and kept in good order. It is particularly important to remove any dirt and salt in the winter.

The carrier units can be cleaned using water.

### **WARNING**

*Do not use any lubricants on the bolted connections.*

*Failure to comply with these instructions may result in the carrier units becoming detached, causing injury to you or others and/or damage to property.*

### Caution

*Do not use a high-pressure cleaner to clean the kayak holders.*

## 4.6 Technical notes

### Technical data

Dead weight of carrier unit set: approx. 5 kg (11 lbs).



## Roof load/load

### To determine the roof load:

---

Weight of the carrier unit  
+ weight of the roof rack module  
+ weight of the load

---

= roof load

---

#### **WARNING**

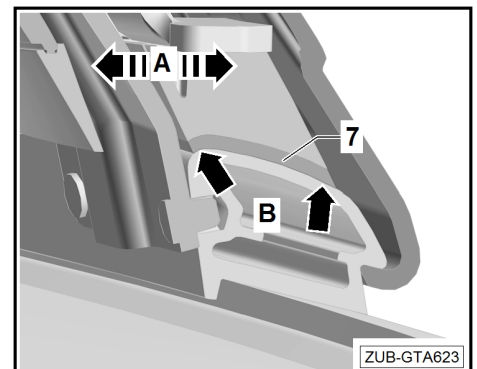
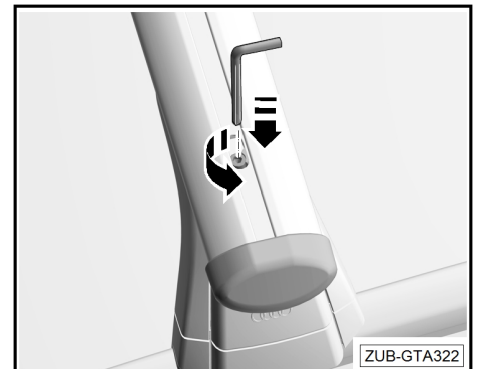
**Never exceed:**

- ◆ **the maximum permissible roof load (75 kg/165 lbs.)**
- ◆ **the gross axle weight rating**
- ◆ **the gross vehicle weight rating for your vehicle ⇒ Vehicle Owner's Manual.**

## 4.7 Adjusting the carrier unit width

**Instructions for the qualified workshop if the position of the support bracket for the relevant vehicle is not set correctly.**

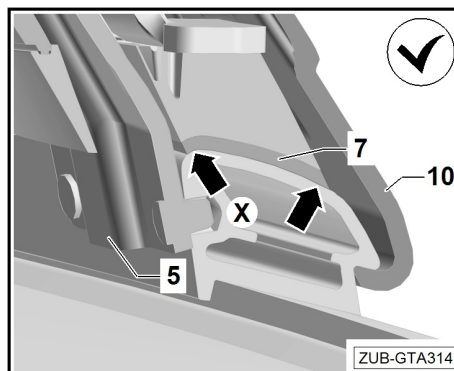
- Install the carrier unit on the vehicle ⇒ Page 7 and only tighten gently on the left-hand side.
- Use a 5-mm hexagon socket wrench to unscrew the hexagon bolts on the right-hand support bracket far enough that the support bracket can be moved. The carrier unit remains on the vehicle during this process.
- Adjust the carrier unit -arrows A- so that the rubber supports for the right-hand lower support bracket -7- sit flush with the roof rail -arrows B-.





**The carrier unit is seated in the correct position if:**

- ◆ The rubber supports for the lower support bracket -7- sit flush against the roof rail -arrows-.
- ◆ The pins in the pin links -5- engage in the holes -X- in the roof rail.
- ◆ The claw fastener -10- is hooked under the roof rail.



- Tighten the hexagon socket bolt to 10 Nm.
- Repeat the procedure on the other carrier unit.

**⚠ WARNING**

**Check that all hexagon bolts have been tightened (to 10 Nm). If these guidelines are not observed, this can result in the carrier units becoming loose or falling off – risk of accident!**

**Do not use the supplied torque wrench (6 Nm).**

